



*"Small Town Atmosphere
Outstanding Quality of Life"*

July 31, 2017

ATTENTION BIDDERS

Addendum No. 1

to the

LED Street Light Replacement Project Contract No. A-362

is hereby issued by the Town of Danville as follows:

This Addendum No. 1 consists of the following additions, changes, and clarifications to the contract documents. This Addendum No. 1 consists of four (4) 8½" x 11" pages.

PLANS:

1. Add the Street Light Mounting Bracket detailed information sheet to the last page in Appendix A - Plans.

SPECIFICATIONS:

1. Replace page 27 of the specifications with the revised page 27 attached. Only 22 pole base adapter plates will be provided by the Town. Contractor shall obtain 10 pole base adapter plates as part of this project (See bid item #5).

QUESTIONS & ANSWERS:

1. Is a notarial required for the bid or the bid bond only?
A. Only the surety's signature must be notarized.

510 LA GONDA WAY, DANVILLE, CALIFORNIA 94526

Administration
(925) 314-3388

Building
(925) 314-3330

Engineering & Planning
(925) 314-3310

Transportation
(925) 314-3310

Maintenance
(925) 314-3450

Police
(925) 314-3700

Parks and Recreation
(925) 314-3400

2. Holophane informed us that the material listed for the projected has already been purchased. The pricing sheet, attached, requires bidding on both labor and material, so I appreciate if you would please clarify this.

A. Refer to Addendum No. 1 and specification section 10.3.02 "Materials" and 10.3.03 "General". Town will supply the following materials:

Quantity	Description
58	Holophane Granville Utility Housing units
58	Holophane Type 3 Distribution Globes
58	CREE BXRAAH53-UD7R LED Upgrade Kit
6	12-ft Holophane Wadsworth Poles for Single Post Top light
4	12-ft Holophane Wadsworth Poles for Twin Post Top Lights
22	14-ft Holophane Wadsworth Poles for Twin Post Top Lights
26	Holophane Philadelphia Cross arms
22	Pole base adaptor plates

Contractor shall furnished all other materials required to install LED street lights as shown on the plans.

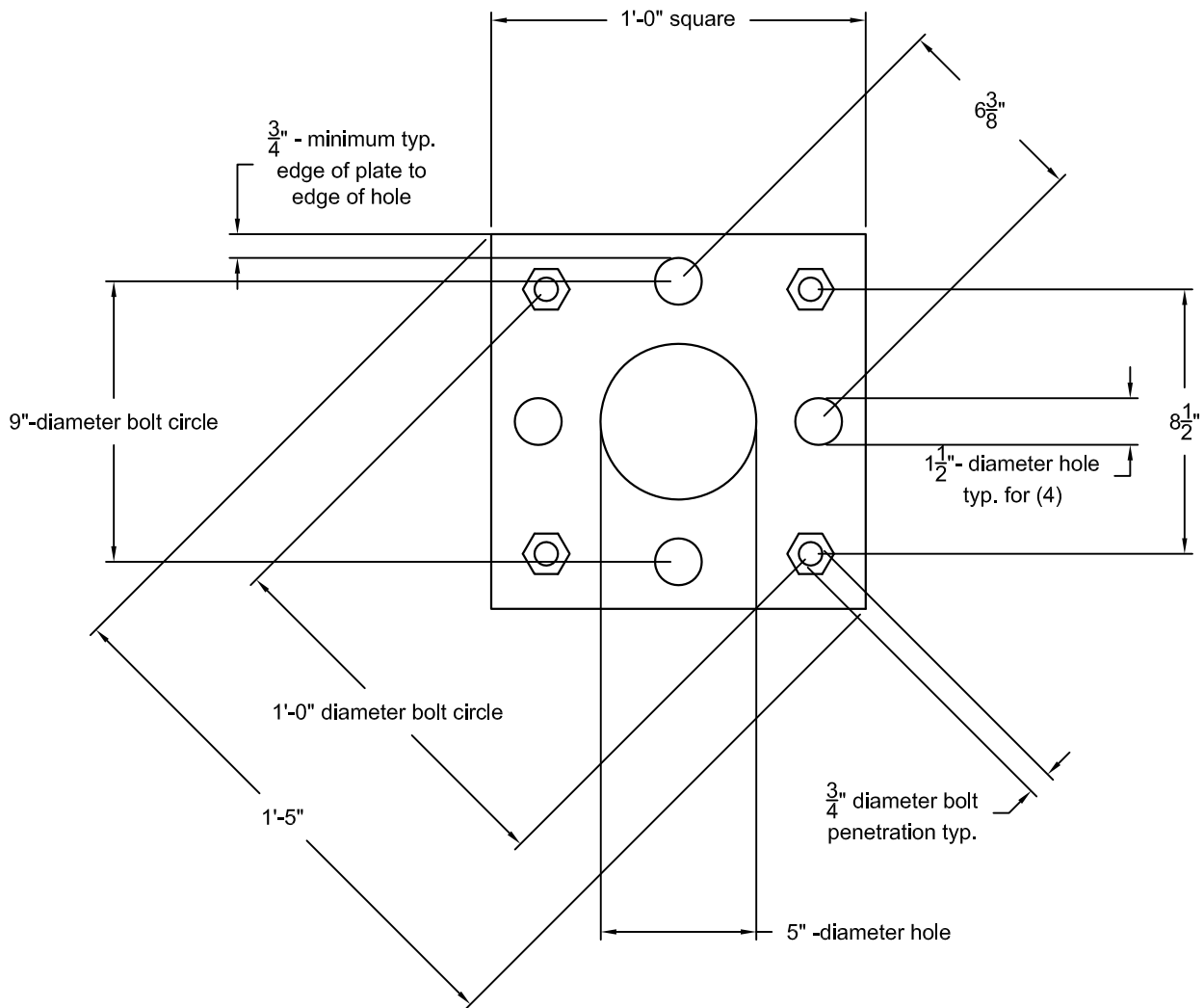
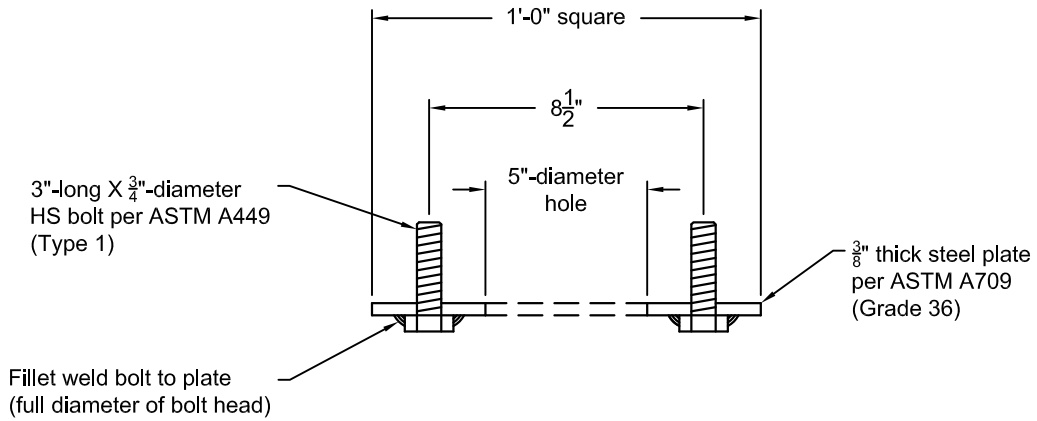
ACKNOWLEDGEMENT BY BIDDER:

Each bidder is required to acknowledge receipt of this Addendum No. 1 by filling-in the space provided on Page P-9 "Addenda" within the Proposal Section (Section C) of the Contract Specifications before bids are opened on Tuesday, August 8, 2017, at 2:00 p.m. PST.

7/31/17
Date


Steven Jones, Senior Civil Engineer





TOWN OF DANVILLE ENGINEERING DIVISION

510 La Gonda Way, Danville CA 94526

STREET LIGHT MOUNTING BRACKET

9"-diameter bolt circle to 12"-diameter bolt circle conversion

Designed by:

Michael Stella, P.E.
ph. 925-314-3316
mstella@danville.ca.gov

SHT 1 OF 1

Revised: May 4, 2015

- 58 Holophane Granville Utility Housing units
- 58 Holophane Type 3 Distribution Globes
- 58 CREE BXRAAH53-UD7R LED Upgrade Kit
- 6 - 12' Holophane Wadsworth Poles for Single Post Top light
- 4 - 12' Holophane Wadsworth Poles for Twin Post Top Lights
- 22 - 14' Holophane Wadsworth Poles for Twin Post Top Lights
- 26 Holophane Philadelphia Cross arms
- ~~32~~ 22 Pole base adaptor plates

Conduit and fittings, where specified, must be extruded, rigid, non-metallic, Schedule 40 PVC conforming to ANSI/UL 651. Install a nylon or polypropylene pull rope within all empty conduits.

10.3.03 General

The luminaire will include an assembly that uses LEDs as the light source. The assembly will include a housing, an LED array, and an electronic driver. The luminaire will be:

1. 58 CREE BXRAAH53-UD7R Post-Top LED Upgrade Kit for Holophane Utility Granville Acorn. Includes installing Holophane Philadelphia Crossarms, poles and base adaptors as indicated on the plans and per manufacturers installation recommendations.

The existing light post replacement with Holophane Wadsworth Poles over existing base may require base adaptor plates, partially furnished by the Town (22 available). These base adaptors may be required depending on the bolt pattern on some of the existing street light locations to be placed.

Since a precise quantity for base adaptors is unknown, the contract may be required to manufacture additional base adaptors as detailed. Hardware necessary such as additional bolts and washer to attach base adaptors whether supplied by the Town or manufactured by the contractor, to be stainless steel or hot-dipped galvanized rated for exterior use and to be supplied by the contractor. This includes mortaring gaps at bases after installation.

Pole numbers must be added to each installed electrolier for PG&E billing purposes. Said pole numbers must be heavy-duty, weather-resistant, self-adhesive, engineering grade reflective, black on white numbers applied to each pole as directed by the Engineer.

10.3.04 Payment

Payment for Lighting will be as follows:

Bid Item 3: Street Light assembly including Utility Housing units, Cross arms, Distribution Globes and LED Upgrade Kit on new 12' and 14' Poles with adaptor plates for existing foundations mortared, will be paid for each, fully-installed and functional street light assembly including all necessary conduits, conductors, wire splices, adhesive pole numbers, and grounding facilities.

Bid Item 4: Street Light assembly including Utility Housing units, Distribution Globes and LED Upgrade Kit new 12'- Poles and with adaptor plates for existing foundations mortared